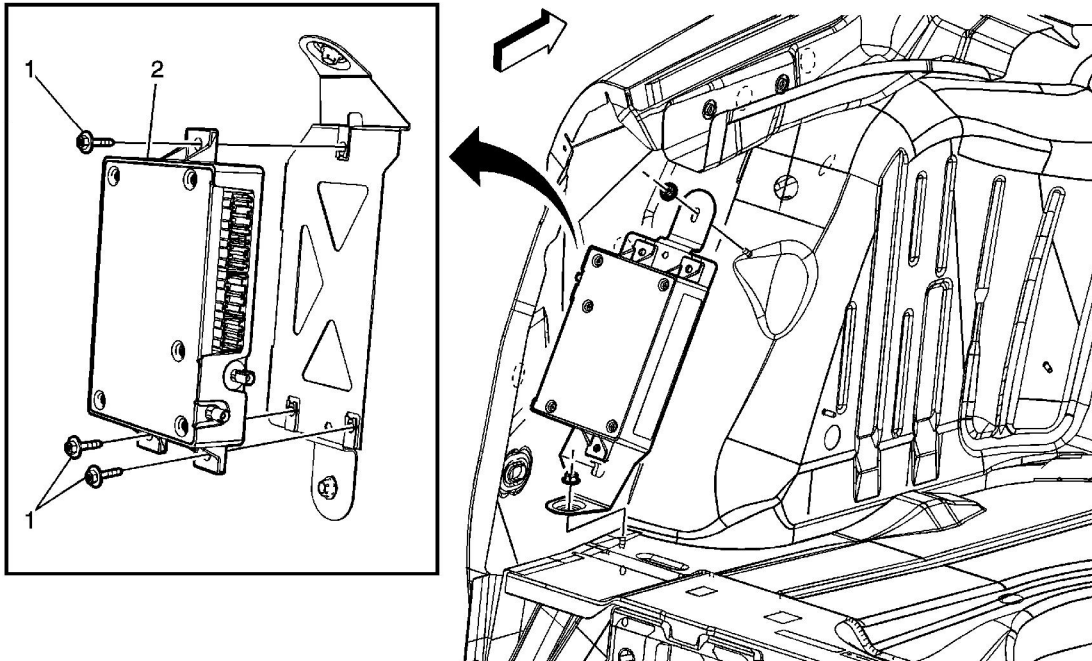


Communication Interface Module Replacement



Callout	Component Name
<p>Preliminary Procedures</p> <ol style="list-style-type: none"> 1. Disconnect the negative battery cable. Refer to Battery Negative Cable Disconnection and Connection . 2. Pull back the left rear compartment trim panel in order to expose the communication interface module. 3. For programming and set up, Refer to Control Module References . 	
<p>1</p>	<p>Communication Interface Bolt/Screw (Qty: 3)</p> <p>Notice: Refer to Fastener Notice in the Preface section.</p> <p>Tip</p> <ul style="list-style-type: none"> • The vehicle communication interface module (VCIM) has a specific set of unique numbers that tie the module to each vehicle. These numbers, the 10-digit station identification and the 11-digit electronic serial number, are used by the National Cellular Network and OnStar® to identify the specific vehicle. Because these numbers are tied to the vehicle identification number of the vehicle, you must never exchange these parts with those of another vehicle. • After replacing the vehicle communication interface module, you must reconfigure the OnStar® system. Failure to reconfigure the system will result <p>© 2012 General Motors Corporation. All rights reserved.</p>

	<p>in an additional customer visit for repair. In addition, pressing and holding the white dot button on the keypad will NOT reset this version of the OnStar® system. This action will cause a DTC to set.</p> <p>Tighten 5 N·m (44 lb in)</p>
2	<p>Communication Interface Module</p> <p>Procedure</p> <p>For programming and set up information, refer to Control Module References .</p>